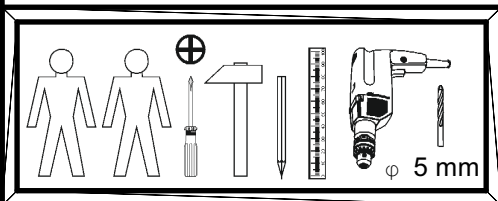
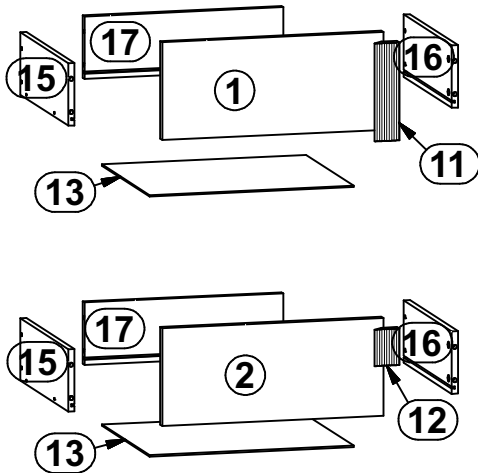
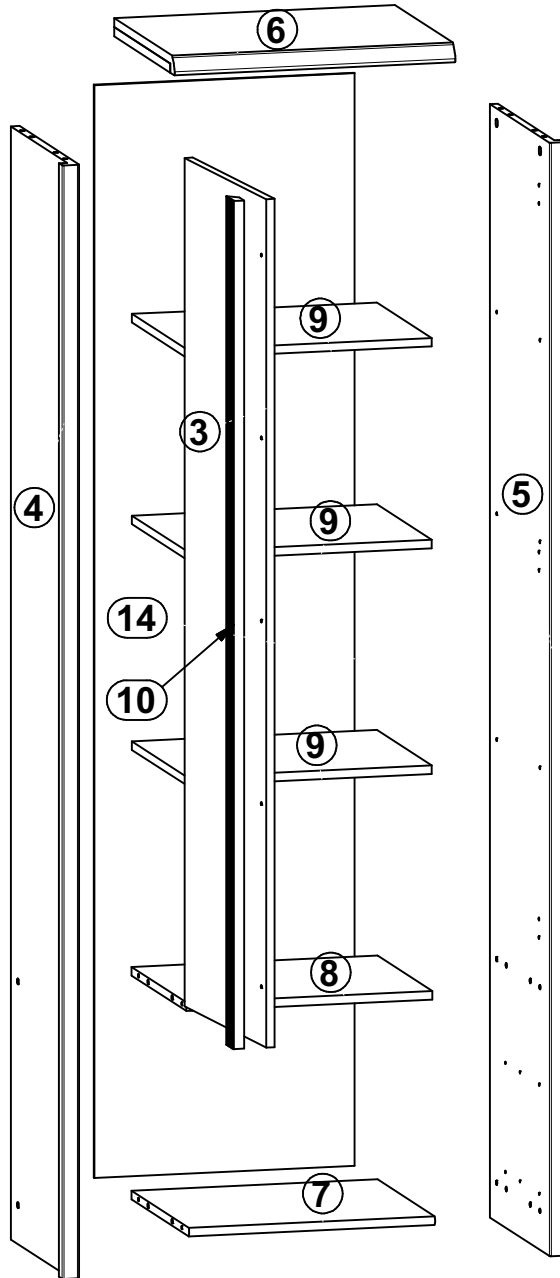
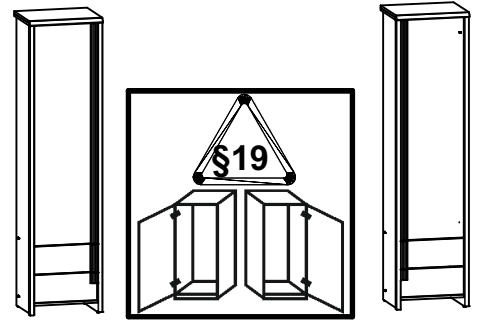


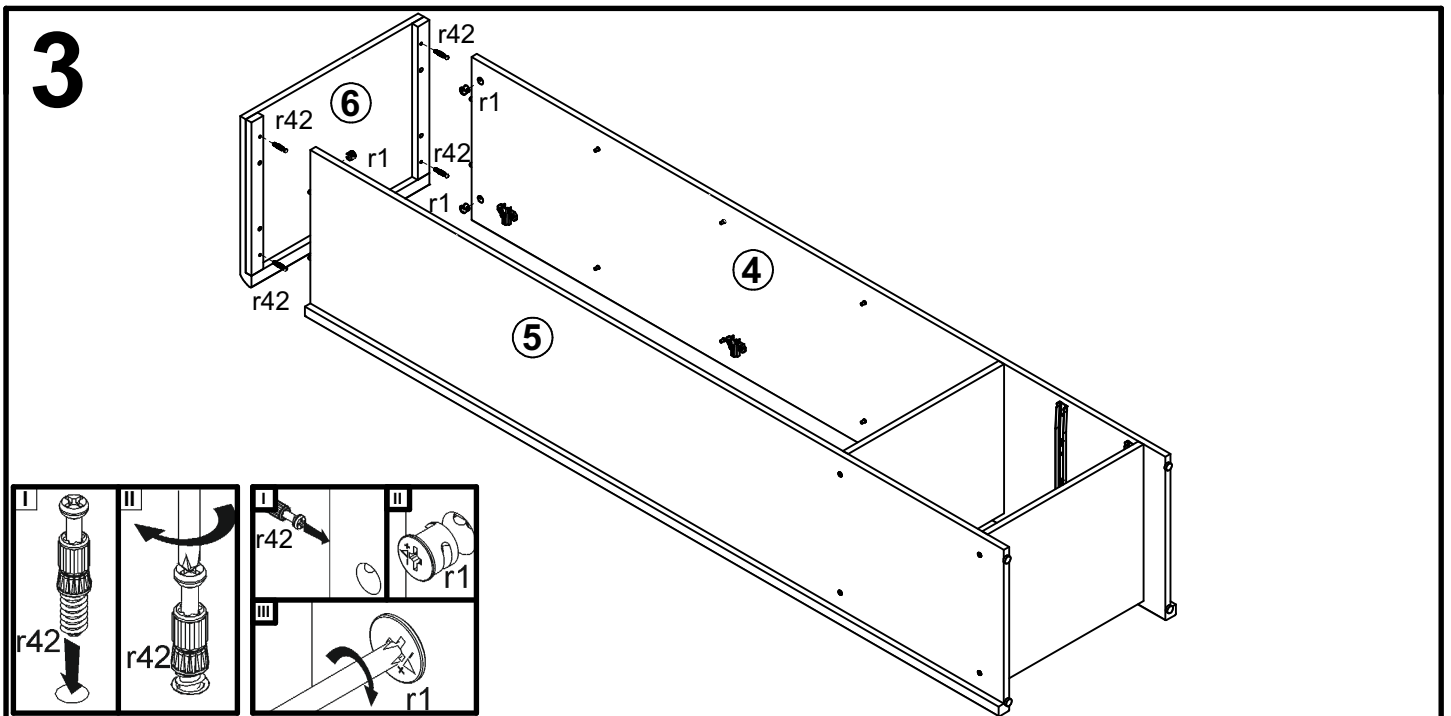
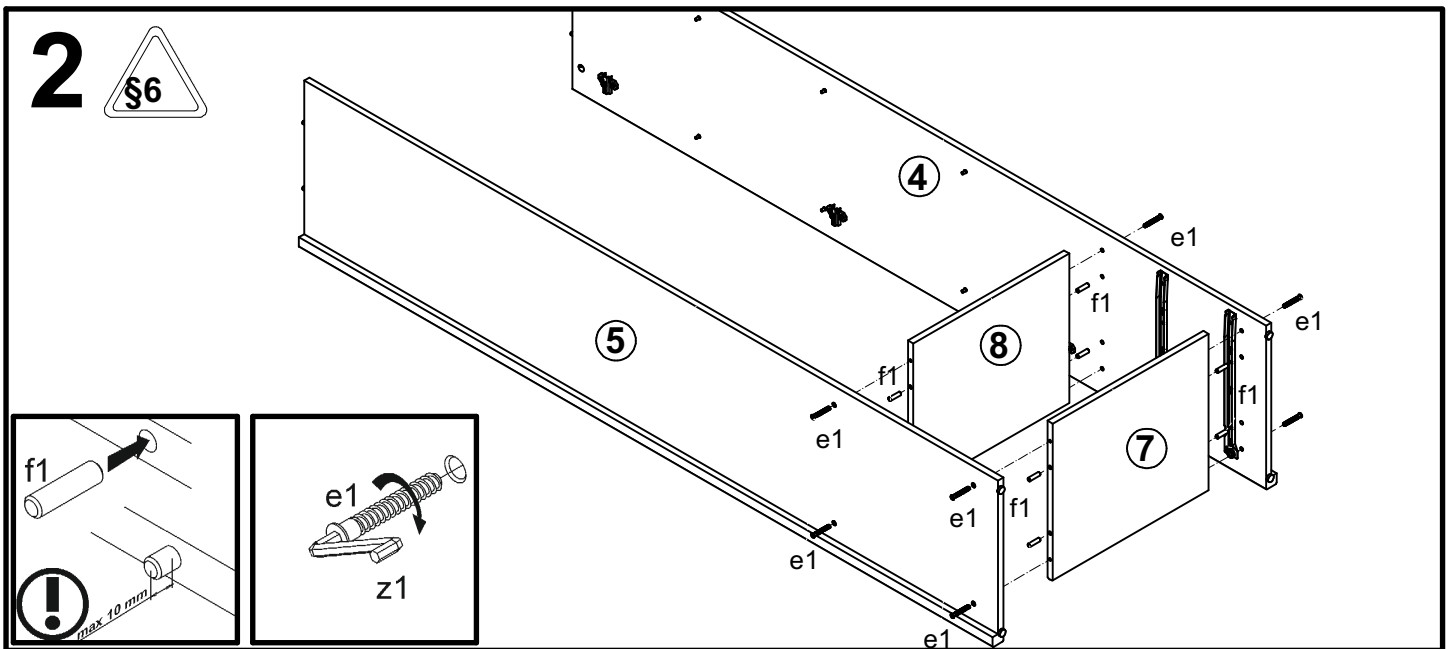
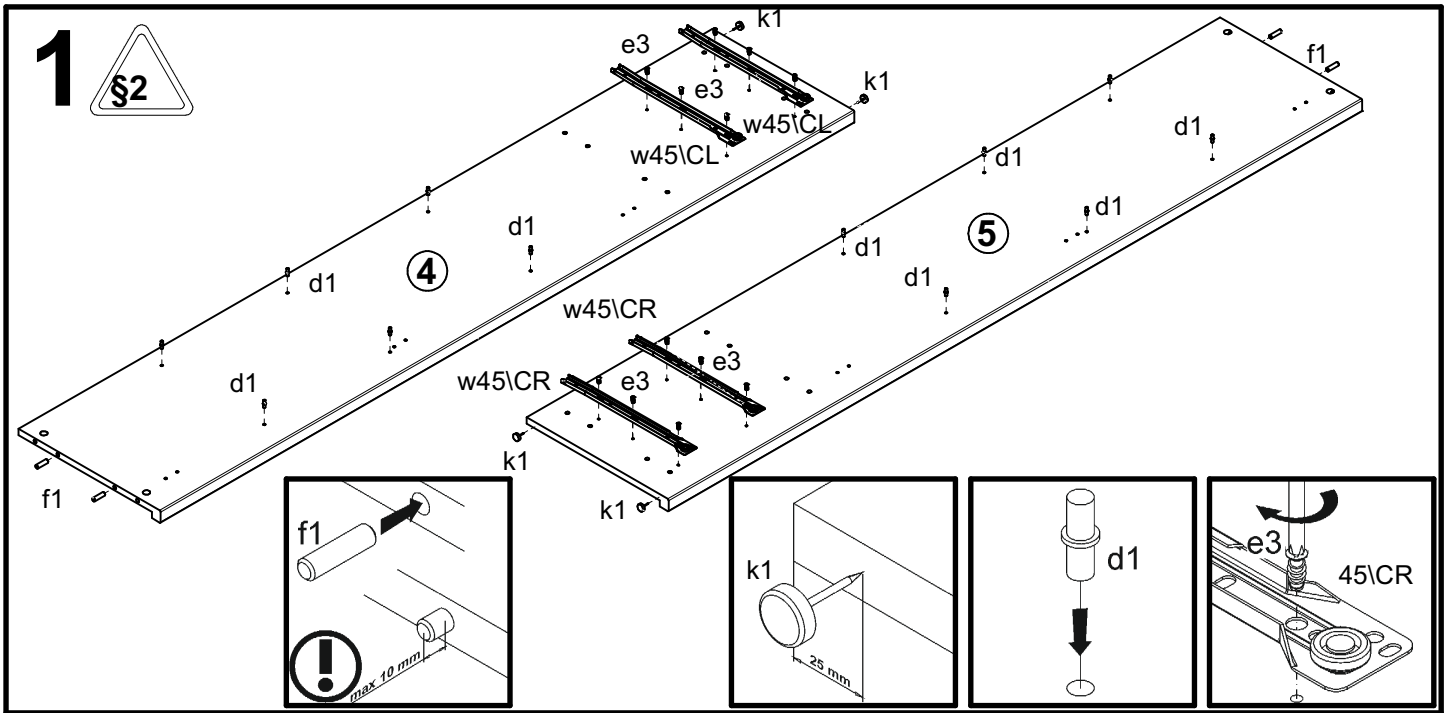
CAPS

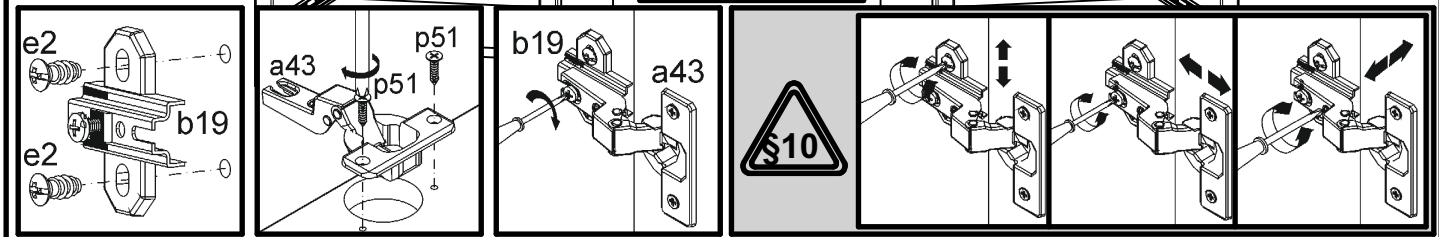
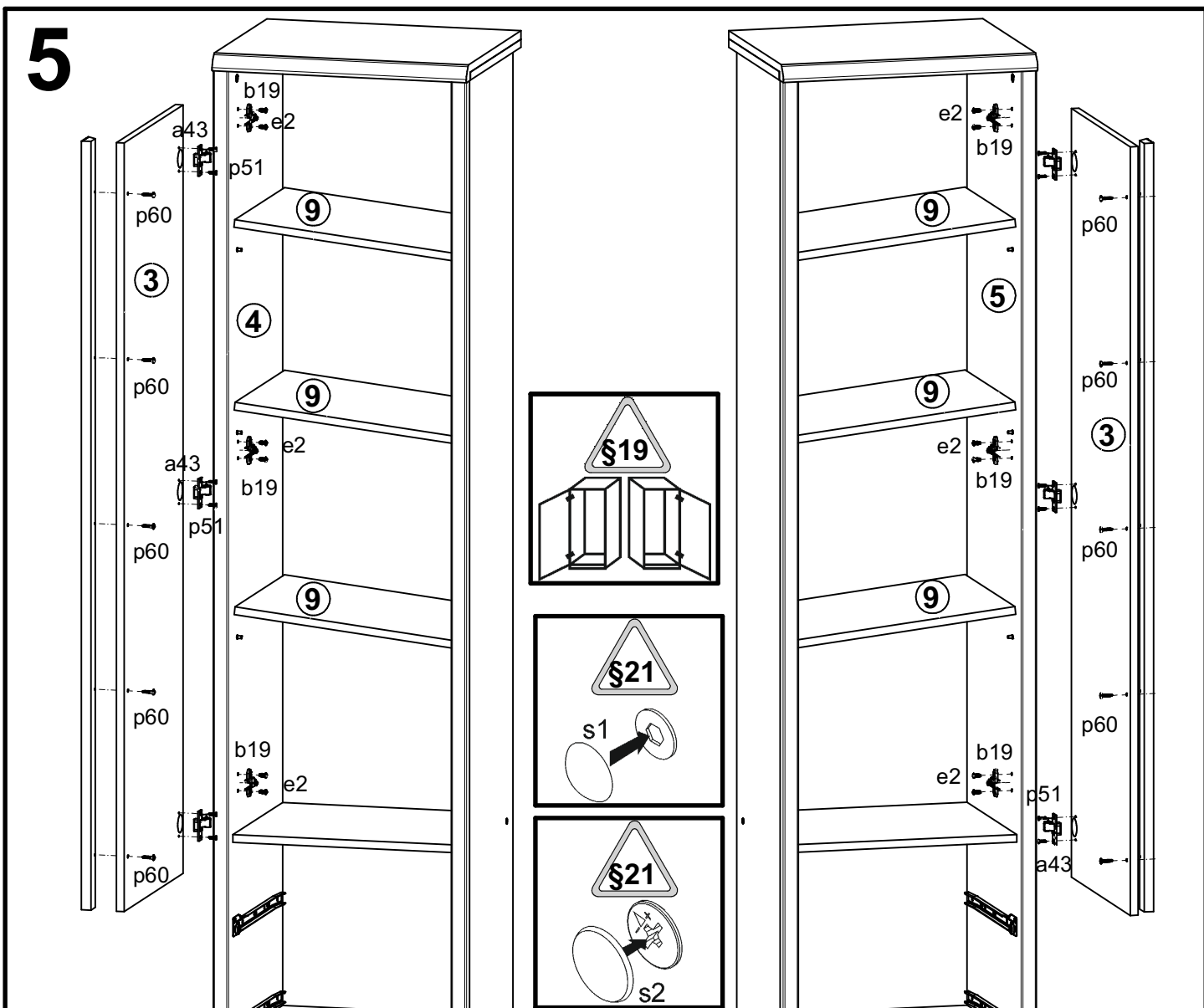
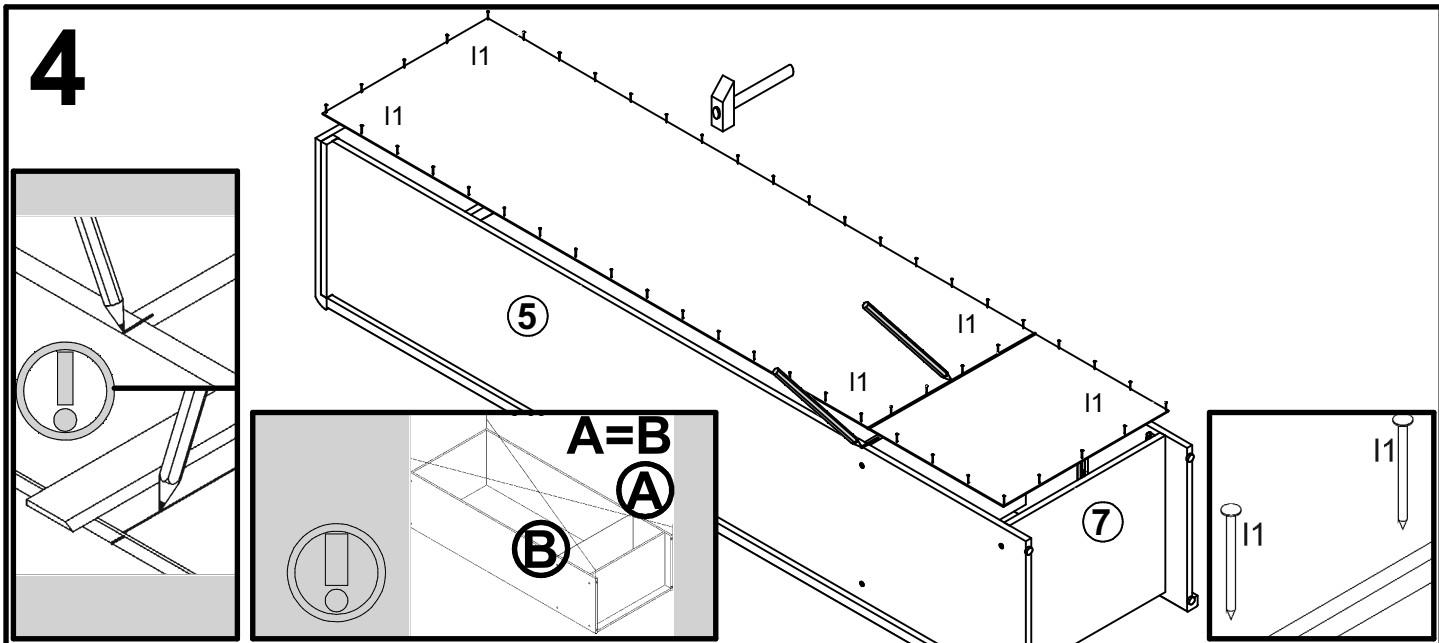
S153-REG1D2S

A	B	C	D	
1	S153-0011	433	188	1/3
2	S153-0012	433	188	1/3
3	S153-0013	1484	433	1/3
4	S153-1117	1948	399	1/3
5	S153-1118	1948	399	1/3
6	S153-2202	504	403	2/3
7	S153-3302	438	383	2/3
8	S153-3315	438	364	2/3
9	S153-3316	437	364	3/3
10	S153-573	1484	49	3/3
11	S153-578	188	49	3/3
12	S153-580	70	49	3/3
13	S153-9904	400	348	3/3
14	S153-9910	1912	464	1/3
15	ZS2-511	350	120	3/3
16	ZS2-512	350	120	3/3
17	ZS2-5582	389	120	3/3



3x k16	3x b19	12x d1	8x e1	8x e19	6x e2	12x e3	12x f1	8x f25
4x k1	55x l1	6x p51	9x p60	4x r1	8x r15	12x r42	2x w45\CL	2x w45\CR
2x w45\DL	2x w45\DR	1x z1	1x n26\1	1x p38	8x s1	4x s2		





6



f25

